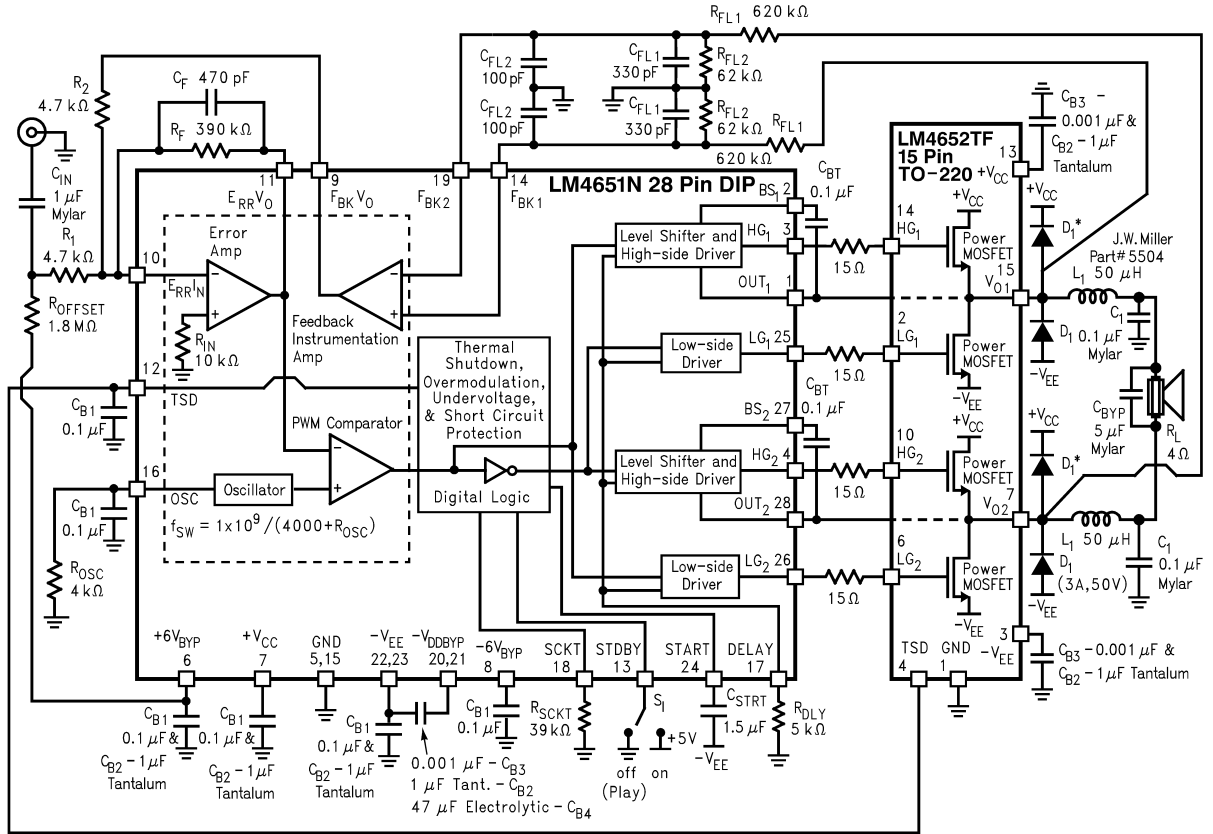


Electrical Characteristics for LM4652 (Notes 1, 2, 7) (Continued)



* Top Side Diodes are optional.
Depends on Application.

DS101277-68

FIGURE 1. Typical Application Circuit and Test Circuit